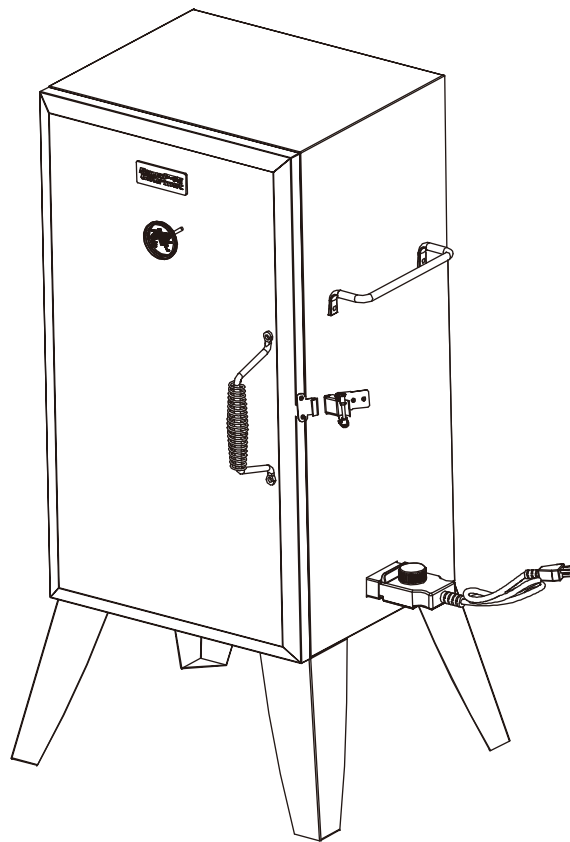


28-INCH ELECTRIC SMOKER WITH 1500-WATT HEATING ELEMENT ASSEMBLY GUIDE



FOR YOUR SAFETY!

Use outdoors only! Do not use it inside a building, garage, or any other enclosed space. Read the instructions before assembling and using the appliance.

DO NOT use the smoker unless it is completely assembled, and all the parts are securely fastened. This smoker will become very hot, do not move it during use. Keep away from children and pets.



Customer Service

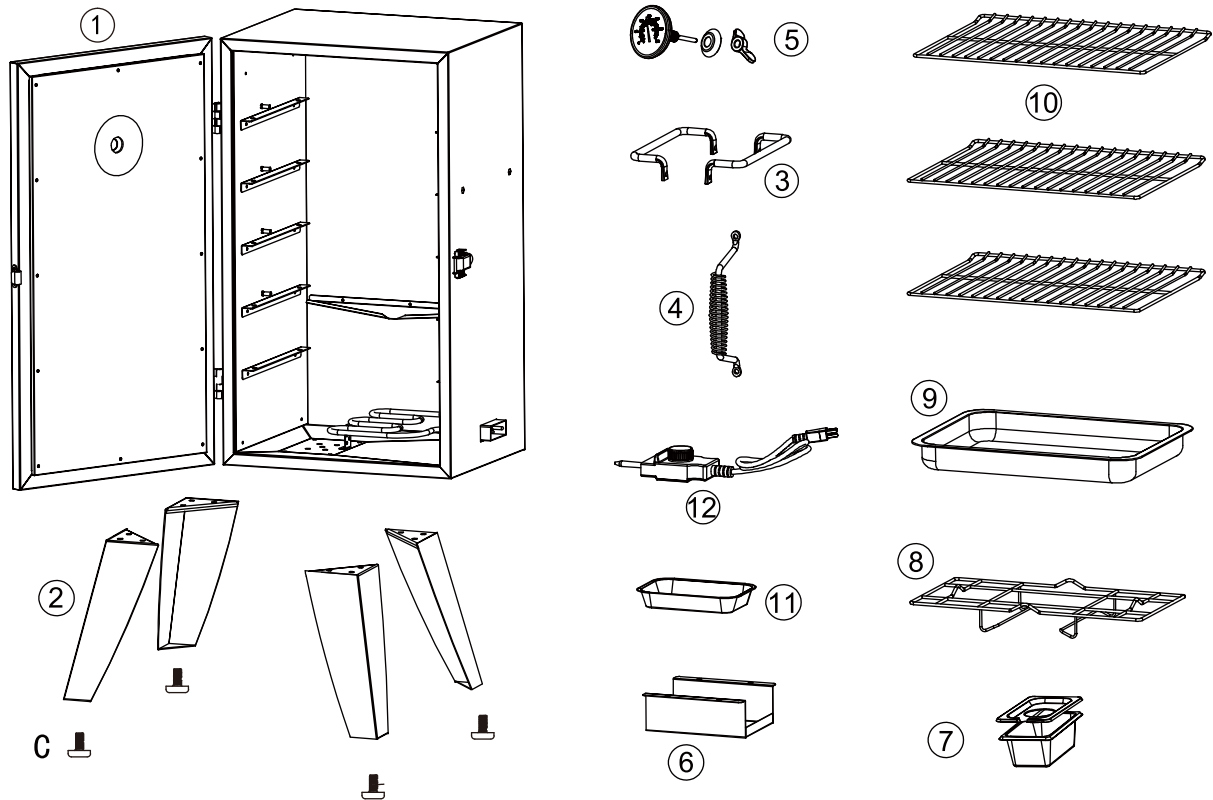
📞 1-800-618-6798

CONTACT US FIRST!

This smoker has been made to high quality standards. If you have any questions that are not addressed in this Owner's Manual, or you need parts, please call our customer service hotline or send an email to service@royalgourmetusa.com. Please keep this Owner's Manual for future reference.

Learn more at:


www.royalgourmetcorp.com



Ref	Description	Illustration	QTY
1.	Smoker body H-KE162801		1
2.	Leg Z-KE162811		4
3.	Side handle W-KE162801		2
4.	Door handle W-CC183001 W-CC183002		1
5.	Thermometer W-KE162813		1
6.	Drip tray base Z-KE162810		1

Ref	Description	Illustration	QTY
7.	Wood chip box & lid W-KE162811		1
8.	Wood chip box grate W-KE162803		1
9.	Water pan W-KE162816		1
10.	Cooking grate W-KE162802		3
11.	Drip tray W-KE162809		1
12.	Thermostat controller W-KE162808		1

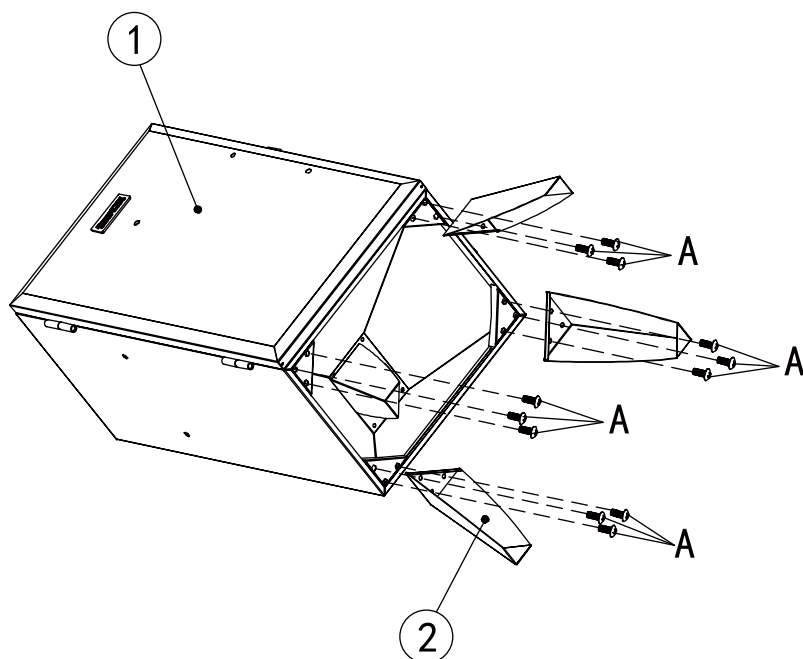
A	M6x15	18 pcs	B	M4x10	4 pcs	C	Leveling foot screw	4 pcs					

TOOLS REQUIRED	
Description	Image
Phillips screwdriver	

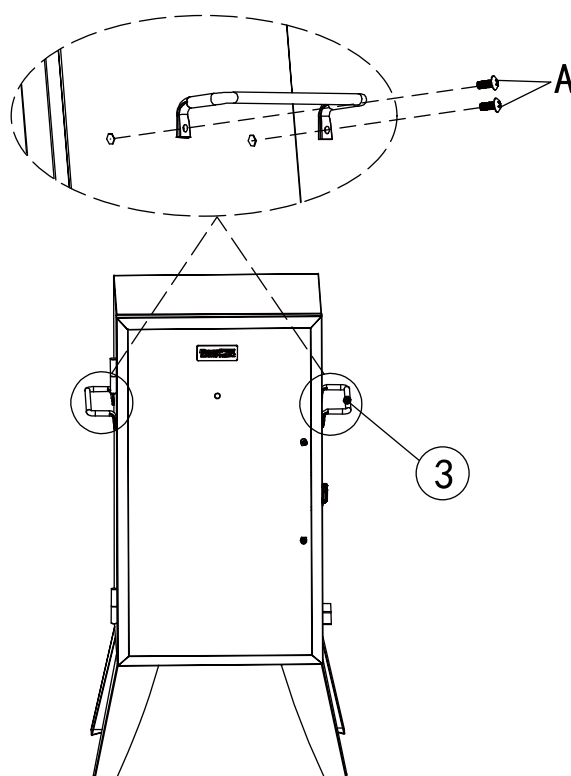
Before beginning assembly, make sure all parts are present. If any parts are missing or damaged, do not attempt to assemble the products. Contact customer service for replacement parts via telephone or email.

- Tools needed (not included): Phillips screwdriver and wrench
- Approximate assembly time: 15 minutes
- Note: 1. The right and left sides of the grill are designed as if you are facing the front of the grill.
2. Model shown for illustration purpose only, specific please in kind prevail.

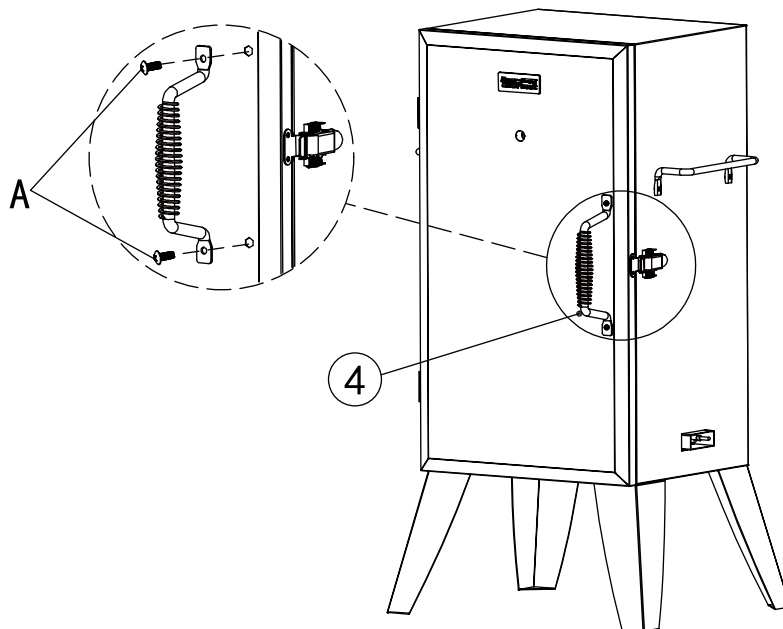
1 A   ×12



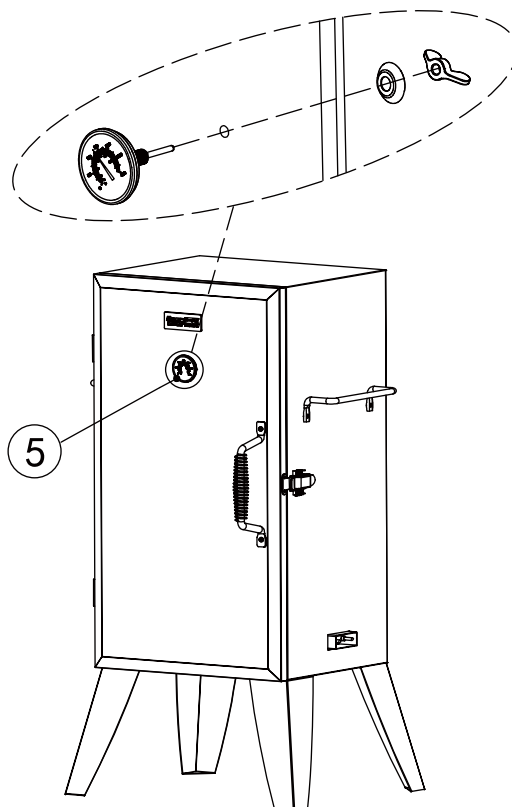
2 A   ×4



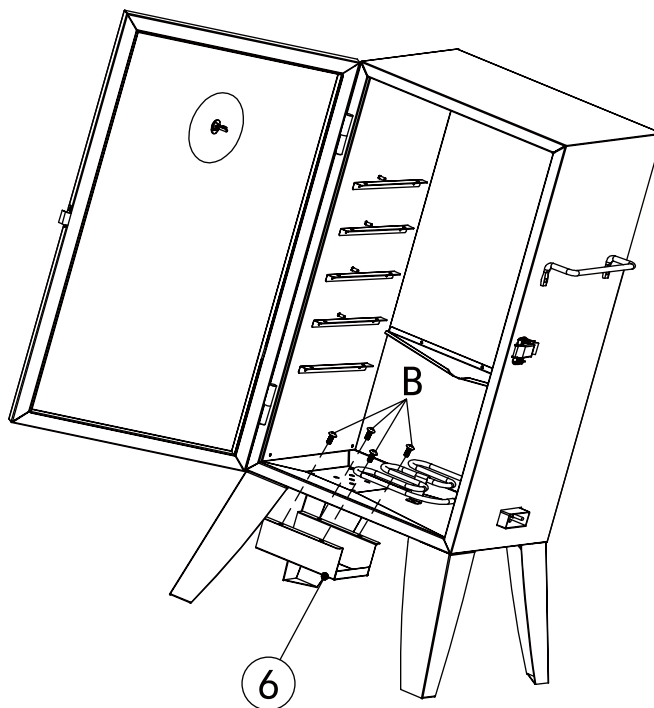
3 A   x2



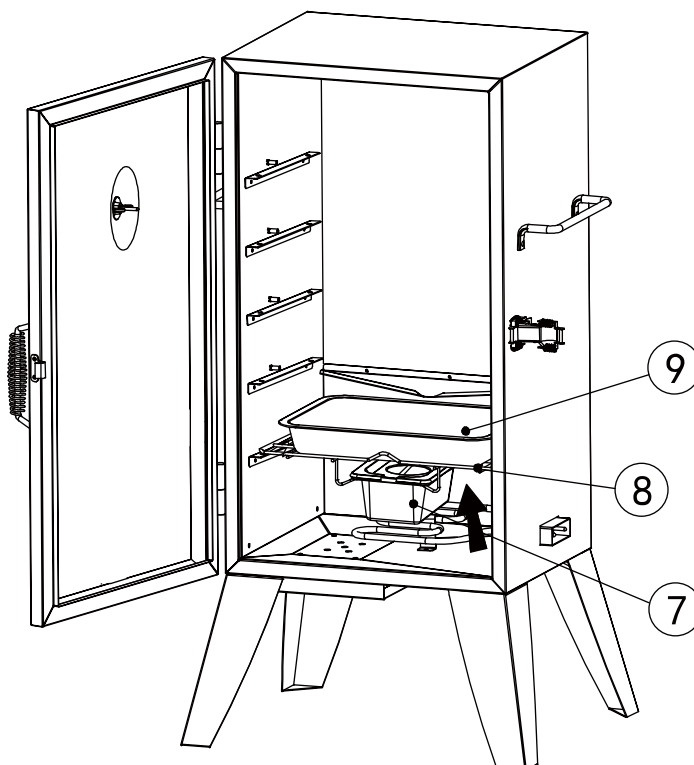
4



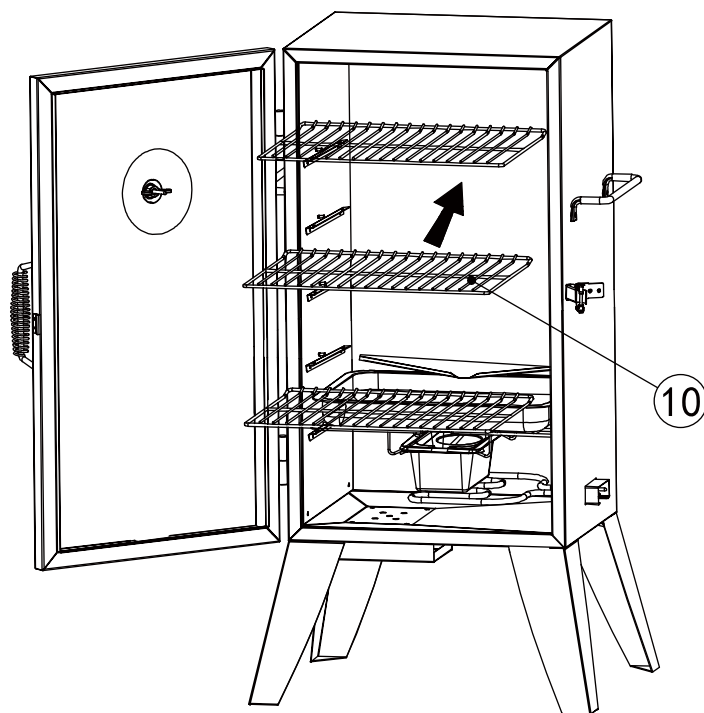
5 B   ×4



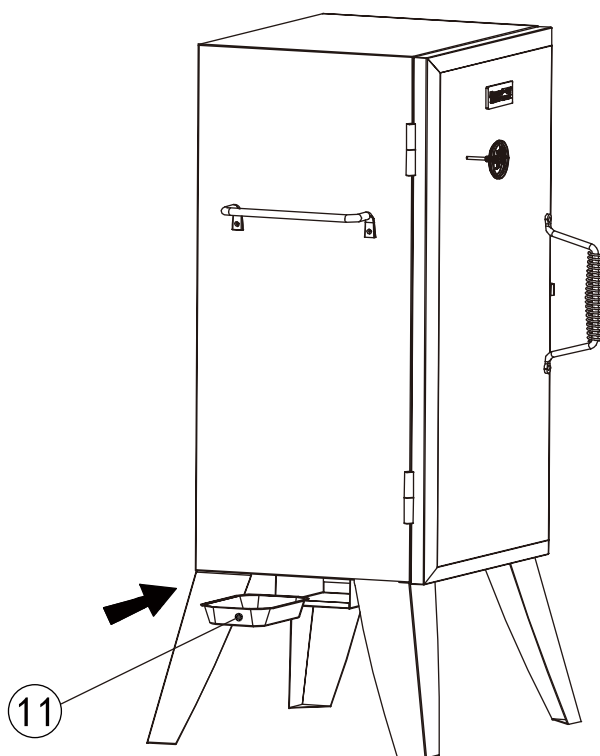
6



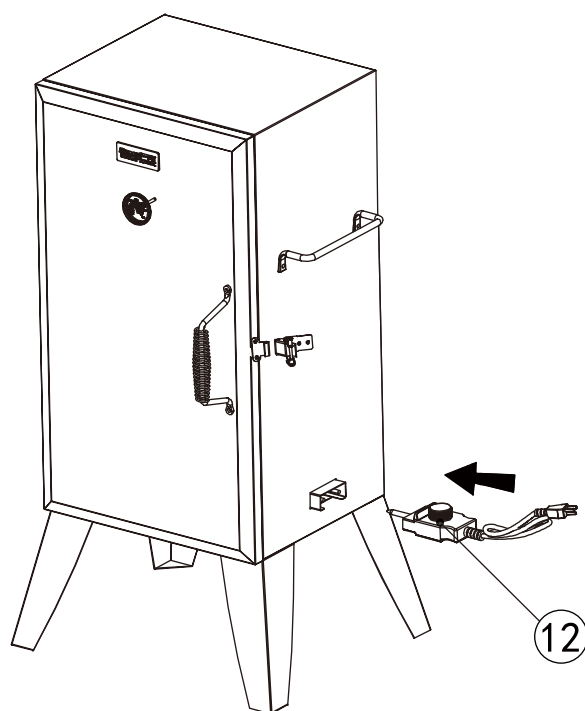
7



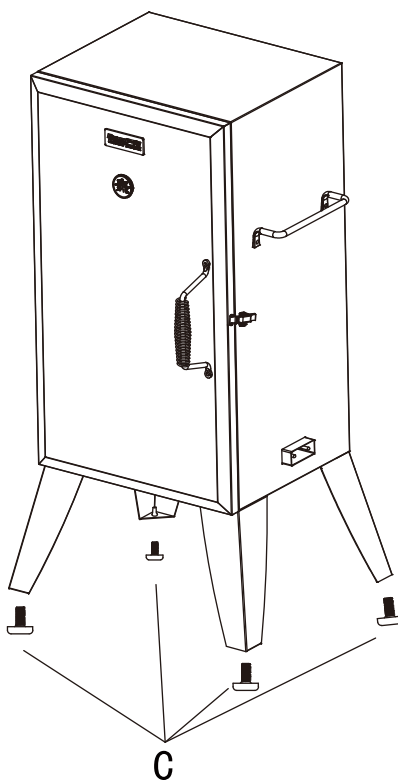
8



9



10 C  x4



**Thank You
For Choosing Us.**

**Any Problem!
We Can Help!**

**Customer
Service**

1-800-618-6798

Monday to Friday (8:30 am - 5:30 pm EST)

service@royalgourmetusa.com